

Eco-Friendly Scissor Lifts

ELECTRIC OIL-FREE



ZHEJIANG DINGLI MACHINERY CO., LTD.

ADD:188 Qihang Road, Leidian Town, Deqing, Zhejiang, P.R.C
P.C:313219
Tel:+86-572-8681688
E-Mail:export@cndingli.com
Https://www.cndingli.com

As the technology is constantly updated, technical parameters are subject to change without notice. This brochure is for reference only.
The copyright is owned by Zhejiang Dingli. No content may be copied or plagiarized for any purpose without written permission.
October 2024 edition

DINGLI
Exceed · New Height



Founded in 2005, [Zhejiang Dingli Machinery Co., Ltd.](#) is a leading manufacturer of intelligent aerial work platforms in the world, covering a total area of 710,000 square meters (175.4 acres), with a construction area of 590,000 square meters and an annual output value of more than 10 billion.

Dingli implements the "ESG" concept throughout the whole process of corporate governance, and practices the development strategy of "Green Sustainable Enterprise Ecology" in all aspects, including green travel of employees, green park construction, green manufacturing, green product R&D, and green recycling.

Dingli has R&D centers in Italy, Germany and the USA, and an Enterprise Research Institute in China, owns 265 global patents, including 120 invention patents, 81 foreign patents, 5 computer software copyright registration certificates, Dingli also participates in the formulation of 16 national standards and 9 industry standards, fully realizing technology globalization.

Electrification is a key measure for Dingli to provide customers with green recycling solutions. As a leader of new energy aerial working platforms, Dingli takes the lead in the industry to complete product electrification, and launches a 3-year warranty for the whole series of products. Dingli has realized collaborative, green and safe manufacturing based on the "future factory" with the highest degree of automation in the industry. More than 200 aerial work platforms developed independently have passed the authoritative certifications of CE in Europe and ANSI in the USA, and have been sold to more than 100 countries and regions around the world.

By advocating the efficient use of recycling energy, Dingli has established re-manufacturing factories to provide customers with full life cycle services for products. In order to better convey the global green development concept, Dingli has invested in well-known construction machinery enterprises such as MAGNI (Italy), TEUPEN (Germany), and wholly-owned acquisition of CMEC, a veteran company specialized in AWP in the United States with

more than 50 years of history. In addition, Dingli has established more than ten overseas subsidiaries that configured with local operating team.

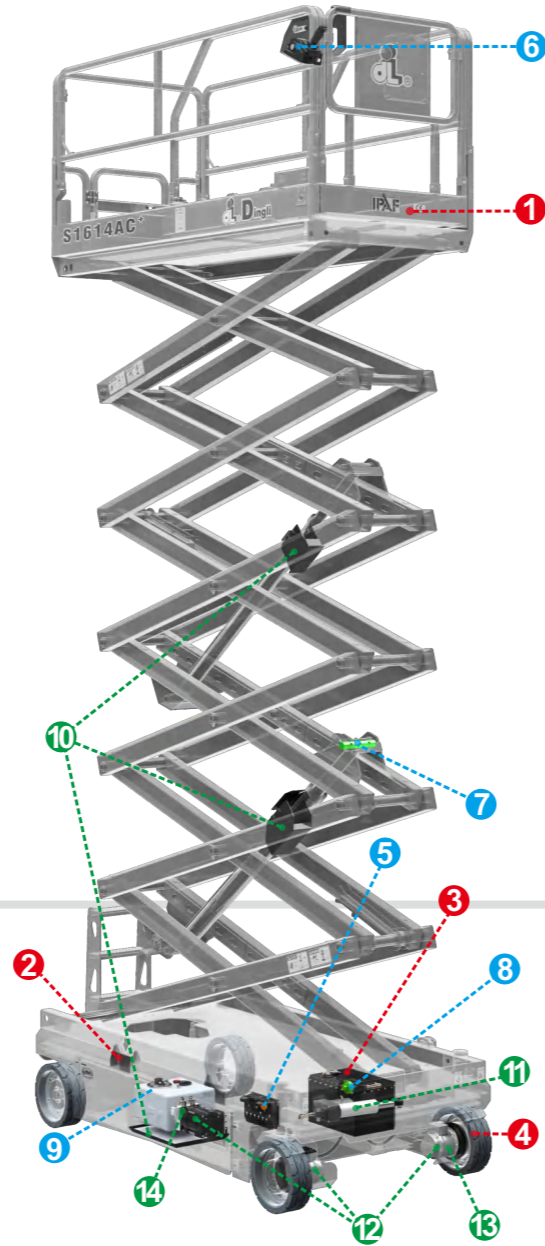
Dingli has been recognized as a "National Manufacturing Single Item Champion Demonstration Enterprise" by the Ministry of Industry and Information Technology, been awarded the "IPAF Annual Pioneer of Aerial Work Platforms" and "IAPA Product of the Year Categories - Scissor Lifts & Vertical Masts", making a zero breakthrough in this industry's most prestigious international awards for Chinese manufacturing. Also, Dingli has been awarded "Top 40 Global Construction Machinery Manufacturers". Mr. Xu Shugen, president of the board, is the first Chinese selected as a member of the IAPA judging panel, has been awarded "Zhejiang Merchants of the Year" in 2022 and "100 Influential People in China's Construction Machinery Industry" for consecutive years.

Dingli is also committed to building an equal, diverse and inclusive corporate environment, by actively empowering women to realize gender diversity in all positions in the male-dominated machinery manufacturing industry, respecting different voices to keep team innovative and resilient for a long time, promoting the development of the industry and ushering in a new era of electrification for "Non-Road Mobile Machinery" to lead the green transformation. Meanwhile, Dingli has built a harmonious supply chain, connected upstream and downstream to create the world's only industrial park for aerial work platforms. Dingli has been fulfilling social responsibilities such as the establishment of the "HongDing Fund", practices of voluntary activities, poverty relief, fundraising for disaster relief, etc.

"Green & Sustainability" is the key to Dingli's high-quality development. In the future, the company will continue to upgrade the "future factories", deepen the green and energy-saving strategy, lead the new era of electrification for "Non-Road Mobile Machinery", make "Aerial Work Platforms Made in China" shine internationally.

AC+ Scissor Series Three-Year Comprehensive Warranty

AC+



Comprehensive Upgrade Fourteen Benefits

PERFORMANCE+

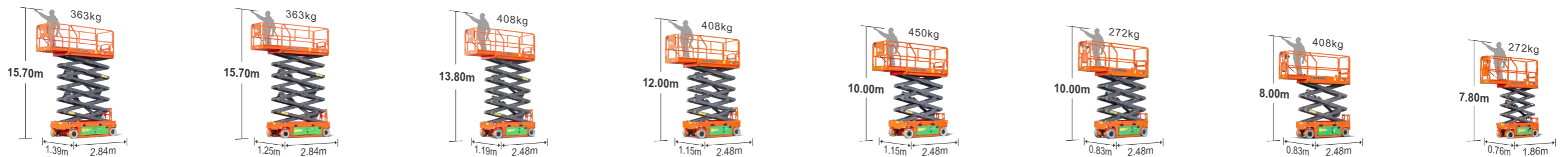
- 1 **Industry Leading Platform Capacity**
Maximum increase up to 45% compared to the original model
- 2 **Side and Rear Forklift Pockets**
Multiple choices for transport efficiency
- 3 **Lithium-Ion Battery with Long Duty Cycle and Fast Recharging**
High-density battery pack with five-year warranty
- 4 **High Strength Wear Resistant Tyres Compound**
Double the life compared to conventional tyres

RELIABILITY+

- 5 **Integrated Four-in-One Motor Controller**
40% reduction in connections and harnesses
- 6 **New Platform Control Box**
The durability of the touch pad is greatly improved, the new surface cleans easily, and the display is three times larger
- 7 **Reliable Load Sensing System**
Less affected by temperature and friction
- 8 **Scissor Angle Sensor Reliability Improvement**
Limit switches are reduced by 60%
- 9 **Hydraulic Oil Heater (Optional)**
Applicable for cold environment

ENVIRONMENT+

- 10 **Hydraulic Oil Leak Containment**
For applications with zero leak tolerance
- 11 **Electric Actuator Steering System**
No hydraulic oil, faster steering speed and 66% reduction in energy consumption
- 12 **Gravity Down Energy Recovery System**
Battery charge regeneration during platform descent
- 13 **Highest Efficiency Electric Drive System**
15% decrease in energy consumption and higher power density
- 14 **Highest Efficiency Electric Lift Pump System**
20% decrease in energy consumption and higher power density



S1614AC+
(P.5-6)

S1612AC+
(P.5-6)

S1412AC+
(P.7-8)

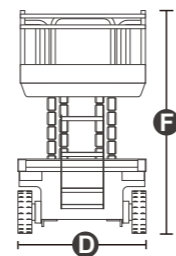
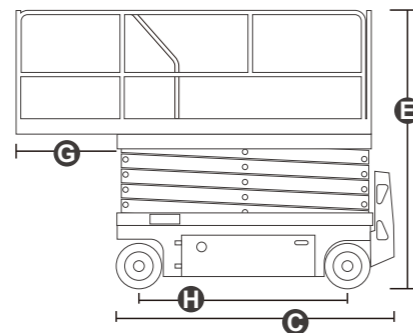
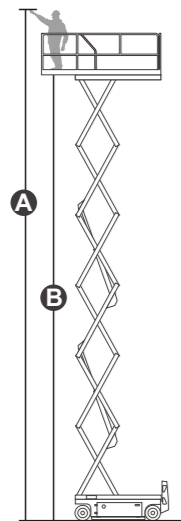
S1212AC+
(P.7-8)

S1012AC+
(P.7-8)

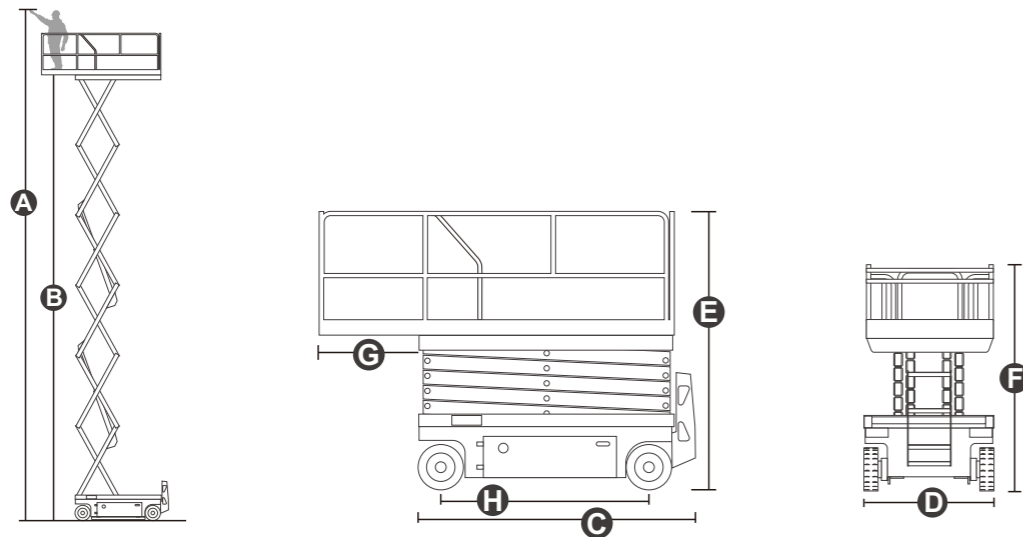
S1008AC+
(P.9-10)

S0808AC+
(P.9-10)

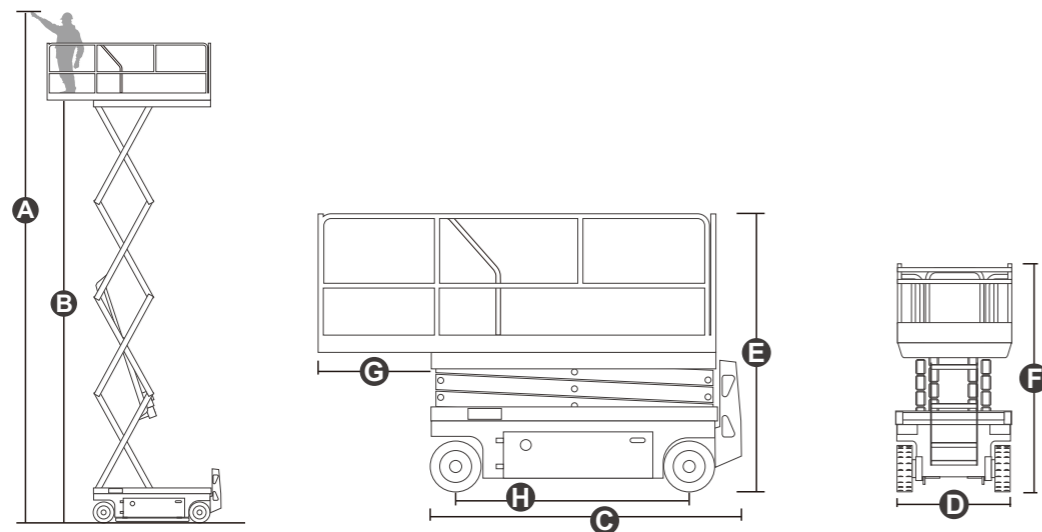
S0807AC+
(P.11-12)



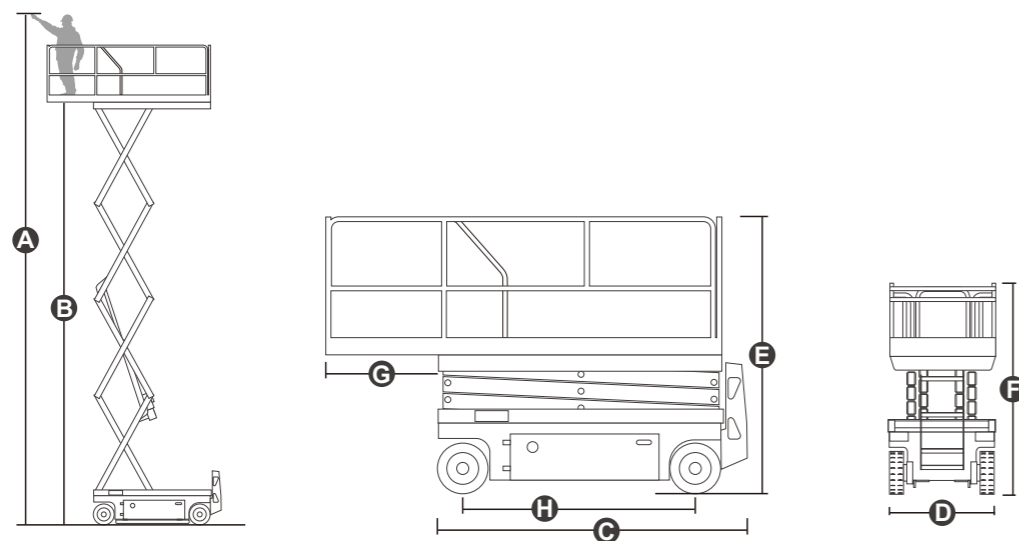
Model	S1614AC ⁺	S1612AC ⁺
Dimension		
Max. Working Height(Indoor) A	15.70m - 51ft 6in	15.70m - 51ft 6in
Max. Platform Height(Indoor) B	13.70m - 44ft 11in	13.70m - 44ft 11in
Overall Length C	2.84m - 9ft 4in	2.84m - 9ft 4in
Overall Width D	1.39m - 4ft 7in	1.25m - 4ft 1in
Overall Height(Rails Up) E	2.62m - 8ft 7in	2.62m - 8ft 7in
Overall Height(Rails Down) F	2.09m - 6ft 10in	2.09m - 6ft 10in
Platform Size(Length×Width)	2.64m×1.12m - 8ft 8in×3ft 8in	2.64m×1.12m - 8ft 8in×3ft 8in
Platform Extension Size G	0.90m - 2ft 11in	0.90m - 2ft 11in
Ground Clearance(Stowed/Raised)	0.10m/0.019m - 4in/1in	0.10m/0.019m - 4in/1in
Wheelbase H	2.24m - 7ft 4in	2.24m 7ft 4in
Turning Radius(Inside/Outside)	0m/2.70m - 0in/8ft 10in	0m/2.65m - 0in/8ft 8in
Tyres	Φ381×127mm	Φ381×127mm
Performance		
S.W.L	363kg - 800lb	363kg - 800lb
S.W.L on Extension	136kg - 300lb	136kg - 300lb
Max. Occupants(Indoor/Outdoor)	2/0	2/0
Gradeability	25%	25%
Travel Speed(Stowed)	≈6.0km/h - ≈3.73mph	≈6.0km/h - ≈3.73mph
Travel Speed(Raised)	≈0.8km/h - ≈0.50mph	≈0.8km/h - ≈0.50mph
Max. Working Slope(X/Y)	1.5°/3°	1.5°/3°
Up/Down Speed	65/66sec	68/68sec
Weight		
Overall Weight	3500kg - 7716lb	3400kg - 7496lb
Power		
Hydraulic Tank	20L - 5.3gal	20L - 5.3gal
Lithium Battery	28.8V/175Ah	28.8V/175Ah
Charger	28V/30A	28V/30A
Driving Motor	2×15VAC/0.87kW	2×15VAC/0.87kW
Lifting Motor	15VAC/3.42kW	15VAC/3.42kW
Options		
Max. Working Height(Outdoor)	11.00m 36ft 1in	9.00m 29ft 6in
Max. Platform Height(Outdoor)	9.00m 29ft 6in	7.00m 23ft
Max. Occupants (Indoor/Outdoor)	2/1	2/1



Model	S1412AC ⁺	S1212AC ⁺	S1012AC ⁺
Dimension			
Max. Working Height(Indoor) A	13.80m - 45ft 3in	12.00m - 39ft 4in	10.00m - 32ft 10in
Max. Platform Height(Indoor) B	11.80m - 38ft 9in	10.00m - 32ft 10in	8.00m - 26ft 3in
Overall Length C	2.48m - 8ft 2in	2.48m - 8ft 2in	2.48m - 8ft 2in
Overall Width D	1.19m - 3ft 11in	1.15m - 3ft 9in	1.15m - 3ft 9in
Overall Height(Rails Up) E	2.62m - 8ft 7in	2.49m - 8ft 2in	2.36m - 7ft 9in
Overall Height(Rails Down) F	2.09m - 6ft 10in	1.96m - 6ft 5in	1.83m - 6ft
Platform Size(Length×Width)	2.27m×1.12m - 7ft 5in×3ft 8in	2.27m×1.12m - 7ft 5in×3ft 8in	2.27m×1.12m - 7ft 5in×3ft 8in
Platform Extension Size G	0.90m - 2ft 11in	0.90m - 2ft 11in	0.90m - 2ft 11in
Ground Clearance(Stowed/Raised)	0.10m/0.019m - 4in/1in	0.10m/0.019m - 4in/1in	0.10m/0.019m - 4in/1in
Wheelbase H	1.87m - 6ft 2in	1.87m - 6ft 2in	1.87m - 6ft 2in
Turning Radius(Inside/Outside)	0m/2.10m - 0in/6ft 11in	0m/2.10m - 0in/6ft 11in	0m/2.10m - 0in/6ft 11in
Tyres	Φ381×127mm	Φ381×127mm	Φ381×127mm
Performance			
S.W.L	408kg - 899lb	408kg - 899lb	450kg - 992lb
S.W.L on Extension	113kg - 249lb	113kg - 249lb	113kg - 249lb
Max. Occupants(Indoor/Outdoor)	3/0	2/1	2/2
Gradeability	25%	25%	25%
Travel Speed(Stowed)	≈ 6.0km/h - 3.73mph	≈ 6.0km/h - 3.73mph	≈ 6.0km/h - 3.73mph
Travel Speed(Raised)	≈ 0.8km/h - 0.50mph	≈ 0.8km/h - 0.50mph	≈ 0.8km/h - 0.50mph
Max. Working Slope(X/Y)	1.5°/3°	1.5°/3°	1.5°/3°
Up/Down Speed	52/52sec	54/51sec	33/35sec
Weight			
Overall Weight	3250kg - 7165lb	3060kg - 6746lb	2750kg - 6063lb
Power			
Hydraulic Tank	20L - 5.3gal	20L - 5.3gal	20L - 5.3gal
Lithium Battery	28.8V/175Ah	28.8V/175Ah	28.8V/175Ah
Charger	28V/30A	28V/30A	28V/30A
Driving Motor	2×15VAC/0.87kW	2×15VAC/0.87kW	2×15VAC/0.87kW
Lifting Motor	15VAC/3.42kW	15VAC/3.42kW	15VAC/3.42kW
Options			
Max. Working Height(Outdoor)	10.50m - 34ft 5in	/	/
Max. Platform Height(Outdoor)	8.50m - 27ft 11in	/	/
Max. Occupants (Indoor/Outdoor)	3/1	/	/



Model	S1008AC ⁺	S0808AC ⁺
Dimension		
Max. Working Height(Indoor) A	10.00m - 32ft 10in	8.00m - 26ft 3in
Max. Platform Height(Indoor) B	8.00m - 26ft 3in	6.00m - 19ft 8in
Overall Length C	2.48m - 8ft 2in	2.48m - 8ft 2in
Overall Width D	0.83m - 2ft 9in	0.83m - 2ft 9in
Overall Height(Rails Up) E	2.36m - 7ft 9in	2.23m - 7ft 4in
Overall Height(Rails Down) F	1.90m - 6ft 3in	1.77m - 5ft 10in
Platform Size(Length×Width)	2.27m×0.81m - 7ft 5in×2ft 8in	2.27m×0.81m - 7ft 5in×2ft 8in
Platform Extension Size G	0.90m - 2ft 11in	0.90m - 2ft 11in
Ground Clearance(Stowed/Raised)	0.10m/0.019m - 4in/1in	0.10m/0.019m - 4in/1in
Wheelbase H	1.87m - 6ft 2in	1.87m - 6ft 2in
Turning Radius(Inside/Outside)	0m/2.10m - 0in/6ft 11in	0m/2.10m - 0in/6ft 11in
Tyres	Φ381×127mm	Φ381×127mm
Performance		
S.W.L	272kg - 600lb	408kg - 900lb
S.W.L on Extension	113kg - 249lb	113kg - 249lb
Max. Occupants(Indoor/Outdoor)	2/0	2/1
Gradeability	25%	25%
Travel Speed(Stowed)	≈6.0km/h - ≈3.73mph	≈6.0km/h - ≈3.73mph
Travel Speed(Raised)	≈0.8km/h - ≈0.50mph	≈0.8km/h - ≈0.50mph
Max. Working Slope(X/Y)	1.5°/3°	1.5°/3°
Up/Down Speed	32/34sec	30/43sec
Weight		
Overall Weight	2250kg - 4960lb	2180kg - 4806lb
Power		
Hydraulic Tank	20L - 5.3gal	20L - 5.3gal
Lithium Battery	28.8V/150Ah	28.8V/150Ah
Charger	28V/30A	28V/30A
Driving Motor	2×15VAC/0.87kW	2×15VAC/0.87kW
Lifting Motor	15VAC/3.42kW	15VAC/3.42kW
Options		
Max. Working Height(Outdoor)	8.10m - 26ft 7in	/
Max. Platform Height(Outdoor)	6.10m - 20ft	/
Max. Occupants (Indoor/Outdoor)	2/1	/



Model		S0807AC+
Dimension		
Max. Working Height A		7.80m - 25ft 7in
Max. Platform Height B		5.80m - 19ft
Overall Length C		1.86m - 6ft 1in
Overall Width D		0.76m - 2ft 6in
Overall Height(Rails Up) E		2.15m - 7ft 1in
Overall Height(Rails Down) F		1.83m - 6ft
Platform Size(Length×Width)		1.67m×0.74m - 5ft 6in×2ft 5in
Platform Extension Size G		0.90m - 2ft 11in
Ground Clearance(Stowed/Raised)		0.09m/0.016m - 4in/1in
Wheelbase H		1.36m - 4ft 6in
Turning Radius(Inside/Outside)		0m/1.64m - 0in/5ft 5in
Tyres		Φ323×100mm
Performance		
S.W.L		272kg - 600lb
S.W.L on Extension		113kg - 249lb
Max. Occupants(Indoor/Outdoor)		2/1
Gradeability		25%
Travel Speed(Stowed)		≈5.5km/h - ≈3.41mph
Travel Speed(Raised)		≈0.6km/h - ≈0.37mph
Max. Working Slope(X/Y)		1.5°/3°
Up/Down Speed		22/22sec
Weight		
Overall Weight		1630kg - 3594lb
Power		
Hydraulic Tank		7L - 1.7gal
Lithium Battery		28.8V/125Ah
Charger		28V/30A
Driving Motor		2×15VAC/0.5kW
Lifting Motor		15VAC/3kW



Oil-Free & All-Electric Series

The maximum working height covers 5~16m, the maximum load covers 230~380kg, no hydraulic system, and electric actuators are used for lifting and steering instead of traditional hydraulic cylinders.



Low Energy Consumption

The total transmission efficiency of the motor direct drive system can reach 95%, which saves more than 30% energy compared with the traditional hydraulic system, offering longer endurance.



Safer

Higher waterproof and dustproof levels; built-in position sensor, real-time data monitoring of the entire stroke; collaborative drive to achieve temperature, load, torque control, high active safety.



Easy Maintenance

No hydraulic system, avoiding system problems such as valve core jamming, oil leakage, oil change, high and low temperature efficiency reduction, etc., with maintenance-free permanent magnet synchronous motor and AGM battery, greatly reducing maintenance costs.



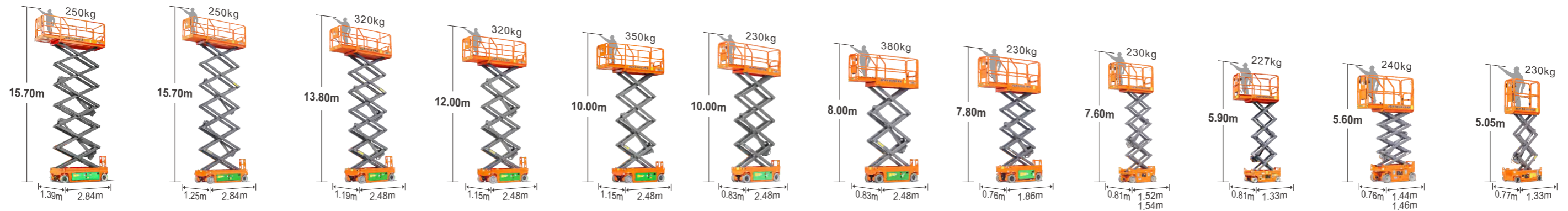
More Comfortable

Full stroke proportional control eliminates the shaking caused by the self-weight descend of the hydraulic system, offering better operating experience.

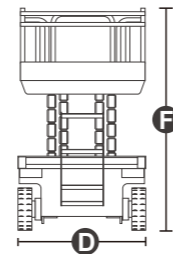
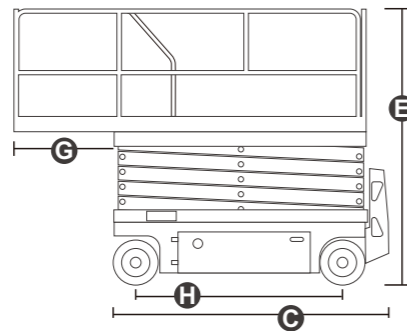
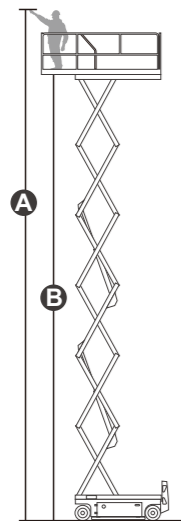


More Eco-Friendly

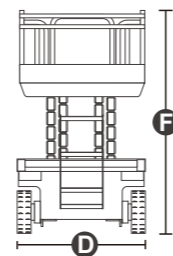
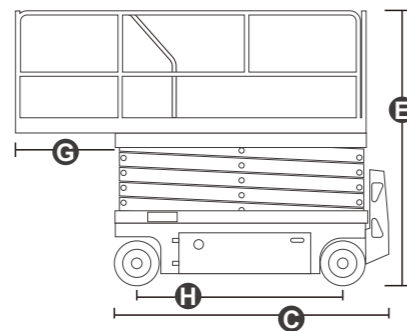
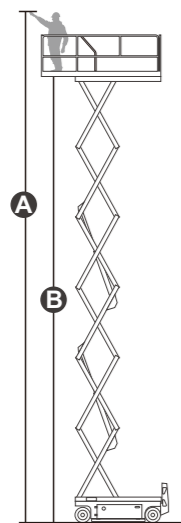
Lower noise than that with hydraulic system, all electric and oil-free, with zero emissions, environmentally friendly.



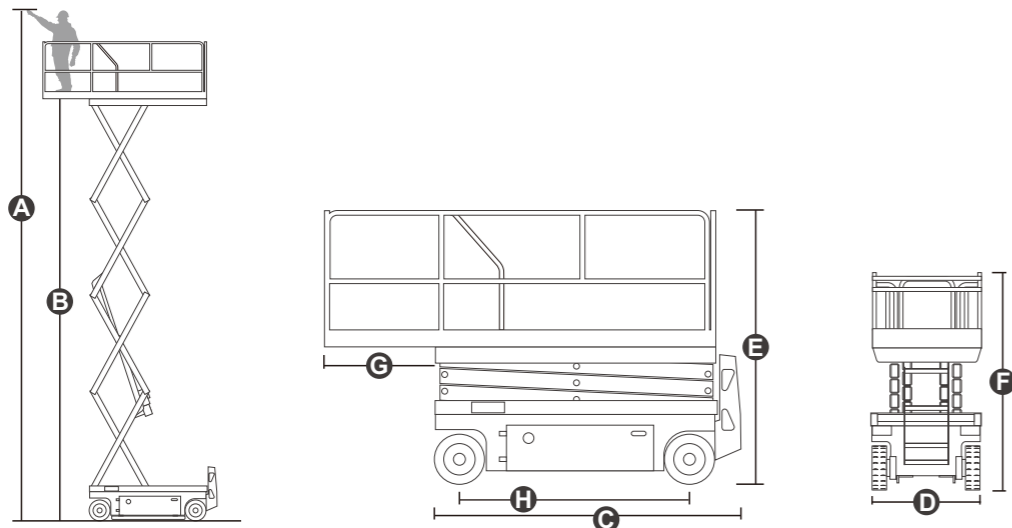
JCPT1614PA	JCPT1612PA	JCPT1412PA	JCPT1212PA	JCPT1012PA	JCPT1008PA	JCPT0808PA	JCPT0807PA	JCPT0708PA	JCPT0608PA	JCPT0607PA	JCPT0507PA
								JCPT0708PAH		JCPT0607PAH	
(P.15-16)	(P.15-16)	(P.17-18)	(P.17-18)	(P.17-18)	(P.19-20)	(P.19-20)	(P.21-22)	(P.23-24)	(P.25-26)	(P.27-28)	(P.29-30)



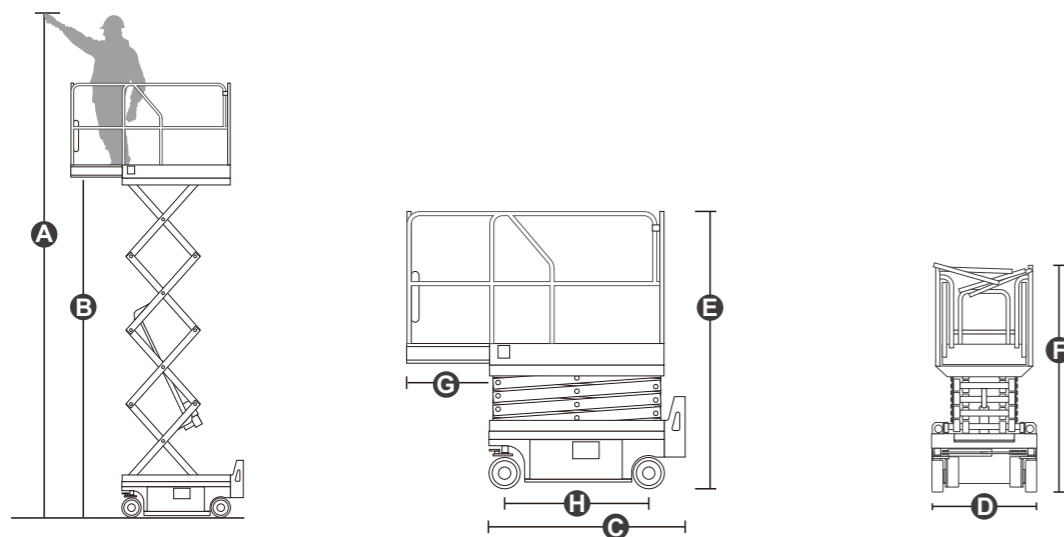
Model	JCPT1614PA	JCPT1612PA
Dimension		
Max. Working Height(Indoor) A	15.70m – 51ft 6in	15.70m – 51ft 6in
Max. Platform Height(Indoor) B	13.70m – 44ft 11in	13.70m – 44ft 11in
Overall Length C	2.84m – 9ft 4in	2.84m – 9ft 4in
Overall Width D	1.39m – 4ft 7in	1.25m – 4ft 1in
Overall Height(Rails Up) E	2.62m – 8ft 7in	2.62m – 8ft 7in
Overall Height(Rails Down) F	2.09m – 6ft 10in	2.09m – 6ft 10in
Platform Size(Length×Width)	2.64m×1.12m – 8ft 8in×3ft 8in	2.64m×1.12m – 8ft 8in×3ft 8in
Platform Extension Size G	0.90m – 2ft 11in	0.90m – 2ft 11in
Ground Clearance(Stowed/Raised)	0.10m/0.019m – 4in/1in	0.10m/0.019m – 4in/1in
Wheelbase H	2.24m – 7ft 4in	2.24m – 7ft 4in
Turning Radius(Inside/Outside)	0m/2.70m – 0in/8ft 10in	0m/2.65m – 0in/8ft 8in
Tyres	Φ381×127mm	Φ381×127mm
Performance		
S.W.L	250kg – 551lb	250kg – 551lb
S.W.L on Extension	113kg – 249lb	113kg – 249lb
Max. Occupants(Indoor/Outdoor)	2/0	2/0
Gradeability	25%	25%
Travel Speed(Stowed)	≈5.0km/h – ≈3.1mph	≈5.0km/h – ≈3.1mph
Travel Speed(Raised)	≈0.8km/h – ≈0.5mph	≈0.8km/h – ≈0.5mph
Max. Working Slope(X/Y)	1.5°/3°	1.5°/3°
Up/Down Speed	62/62sec	62/62sec
Weight		
Overall Weight	3700kg – 8157lb	3580kg – 7893lb
Power		
Lead-Acid Maintenance-Free Battery	24V/240Ah	24V/240Ah
Charger	24V/30A	24V/30A
Driving Motor	2×15VAC/0.87kW	2×15VAC/0.87kW
Upper Lifting Motor	24VDC/1.8kW	24VDC/1.8kW
Lower Lifting Motor	24VDC/3kW	24VDC/3kW
Options		
Max. Working Height(Outdoor)	12.70m – 39ft 4in	11.00m – 36ft 1in
Max. Platform Height(Outdoor)	10.70m – 35ft 1in	9.00m – 29ft 6in
Max. Occupants (Indoor/Outdoor)	2/1	2/1
Lithium Battery	24V/220Ah	24V/220Ah



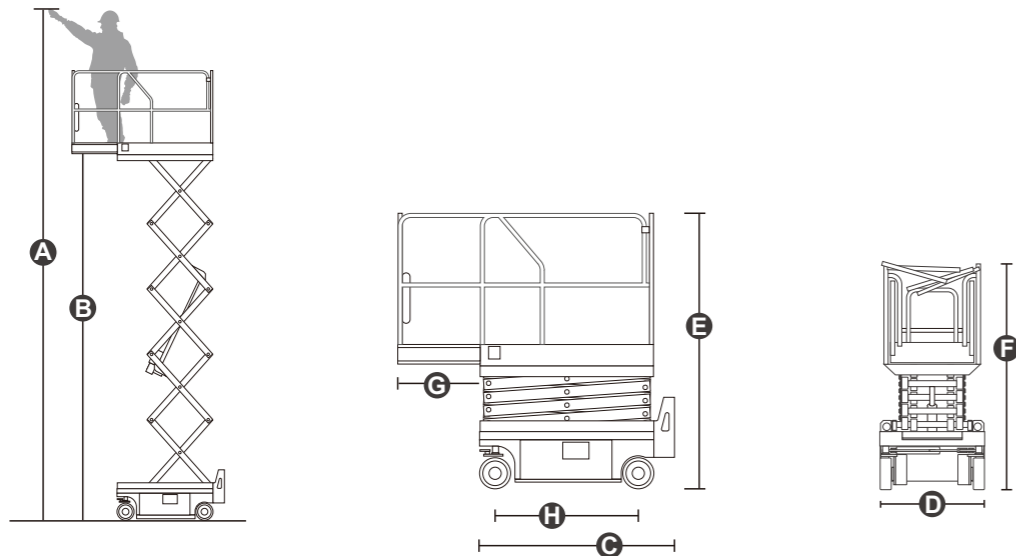
Model	JCPT1412PA	JCPT1212PA	JCPT1012PA
Dimension			
Max. Working Height(Indoor) A	13.80m - 45ft 3in	12.00m - 39ft 4in	10.00m - 32ft 10in
Max. Platform Height(Indoor) B	11.80m - 38ft 9in	10.00m - 32ft 10in	8.00m - 26ft 3in
Overall Length C	2.48m - 8ft 2in	2.48m - 8ft 2in	2.48m - 8ft 2in
Overall Width D	1.19m - 3ft 11in	1.15m - 3ft 9in	1.15m - 3ft 9in
Overall Height(Rails Up) E	2.62m - 8ft 7in	2.53m - 8ft 4in	2.36m - 7ft 9in
Overall Height(Rails Down) F	2.09m - 6ft 10in	2.00m - 6ft 7in	1.83m - 6ft
Platform Size(Length×Width)	2.27m×1.12m - 7ft 5in×3ft 8in	2.27m×1.12m - 7ft 5in×3ft 8in	2.27m×1.12m - 7ft 5in×3ft 8in
Platform Extension Size G	0.90m - 2ft 11in	0.90m - 2ft 11in	0.90m - 2ft 11in
Ground Clearance(Stowed/Raised)	0.10m/0.019m - 4in/1in	0.10m/0.019m - 4in/1in	0.10m/0.019m - 4in/1in
Wheelbase H	1.87m - 6ft 2in	1.87m - 6ft 2in	1.87m - 6ft 2in
Turning Radius(Inside/Outside)	0m/2.20m - 0in/7ft 3in	0m/2.20m - 0in/7ft 3in	0m/2.20m - 0in/7ft 3in
Tyres	Φ381×127mm	Φ381×127mm	Φ381×127mm
Performance			
S.W.L	320kg - 705lb	320kg - 705lb	350kg - 772lb
S.W.L on Extension	113kg - 249lb	113kg - 249lb	113kg - 249lb
Max. Occupants(Indoor/Outdoor)	2/0	2/1	2/2
Gradeability	25%	25%	25%
Travel Speed(Stowed)	≈5.0km/h - ≈3.1mph	≈5.0km/h - ≈3.1mph	≈5.0km/h - ≈3.1mph
Travel Speed(Raised)	≈0.8km/h - ≈0.5mph	≈0.8km/h - ≈0.5mph	≈0.8km/h - ≈0.5mph
Max. Working Slope(X/Y)	1.5°/3°	1.5°/3°	1.5°/3°
Up/Down Speed	55/55sec	52/52sec	34/34sec
Weight			
Overall Weight	3200kg - 7055lb	3180kg - 7011lb	2850kg - 6283lb
Power			
Lead-Acid Maintenance-Free Battery	24V/240Ah	24V/200Ah	24V/185Ah
Charger	24V/30A	24V/30A	24V/30A
Driving Motor	2×15VAC/0.87kW	2×15VAC/0.87kW	2×15VAC/0.87kW
Upper Lifting Motor	24VDC/1.8kW	2×24VDC/1.8kW	24VDC/3.0kW
Lower Lifting Motor	24VDC/3kW	24VDC/1.8kW	/
Options			
Max. Working Height(Outdoor)	10.00m - 32ft 10in	/	/
Max. Platform Height(Outdoor)	8.00m - 26ft 3in	/	/
Max. Occupants (Indoor/Outdoor)	2/1	/	/
Lithium Battery	24V/220Ah	24V/220Ah	24V/180Ah



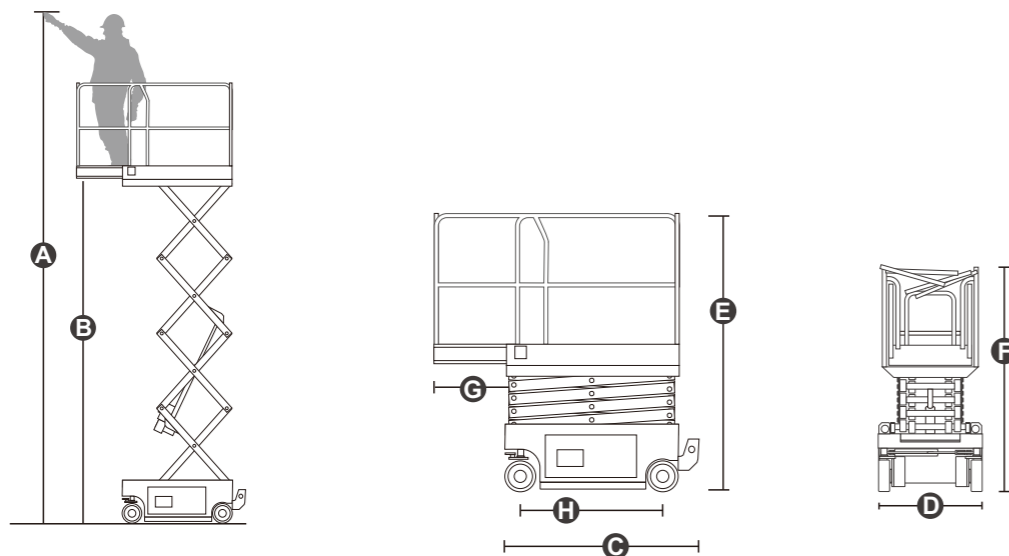
Model	JCPT1008PA	JCPT0808PA
Dimension		
Max. Working Height(Indoor) A	10.00m - 32ft 10in	8.00m - 26ft 3in
Max. Platform Height(Indoor) B	8.00m - 26ft 3in	6.00m - 19ft 8in
Overall Length C	2.48m - 8ft 2in	2.48m - 8ft 2in
Overall Width D	0.83m - 2ft 9in	0.83m - 2ft 9in
Overall Height(Rails Up) E	2.36m - 7ft 9in	2.28m - 7ft 6in
Overall Height(Rails Down) F	2.00m - 6ft 7in	1.92m - 6ft 4in
Platform Size(Length×Width)	2.27m×0.81m - 7ft 5in×2ft 8in	2.27m×0.81m - 7ft 5in×2ft 8in
Platform Extension Size G	0.90m - 2ft 11in	0.90m - 2ft 11in
Ground Clearance(Stowed/Raised)	0.10m/0.019m - 4in/1in	0.10m/0.019m - 4in/1in
Wheelbase H	1.87m - 6ft 2in	1.87m - 6ft 2in
Turning Radius(Inside/Outside)	0m/2.10m - 0in/6ft 11in	0m/2.10m - 0in/6ft 11in
Tyres	Φ381×127mm	Φ381×127mm
Performance		
S.W.L	230kg - 507lb	380kg - 837lb
S.W.L on Extension	113kg - 249lb	113kg - 249lb
Max. Occupants(Indoor/Outdoor)	2/0	2/1
Gradeability	25%	25%
Travel Speed(Stowed)	≈5.0km/h - ≈3.1mph	≈5.0km/h - ≈3.1mph
Travel Speed(Raised)	≈0.8km/h - ≈0.5mph	≈0.8km/h - ≈0.5mph
Max. Working Slope(X/Y)	1.5°/3°	1.5°/3°
Up/Down Speed	33/33sec	33/33sec
Weight		
Overall Weight	2350kg - 5180lb	2290kg - 5048lb
Power		
Lead-Acid Maintenance-Free Battery	24V/185Ah	24V/185Ah
Charger	24V/30A	24V/30A
Driving Motor	2×15VAC/0.87kW	2×15VAC/0.87kW
Lifting Motor	24VDC/1.8kW	24VDC/1.8kW
Options		
Max. Working Height(Outdoor)	8.10m - 26ft 7in	/
Max. Platform Height(Outdoor)	6.10m - 20ft	/
Max. Occupants (Indoor/Outdoor)	2/1	/
Lithium Battery	24V/180Ah	24V/180Ah



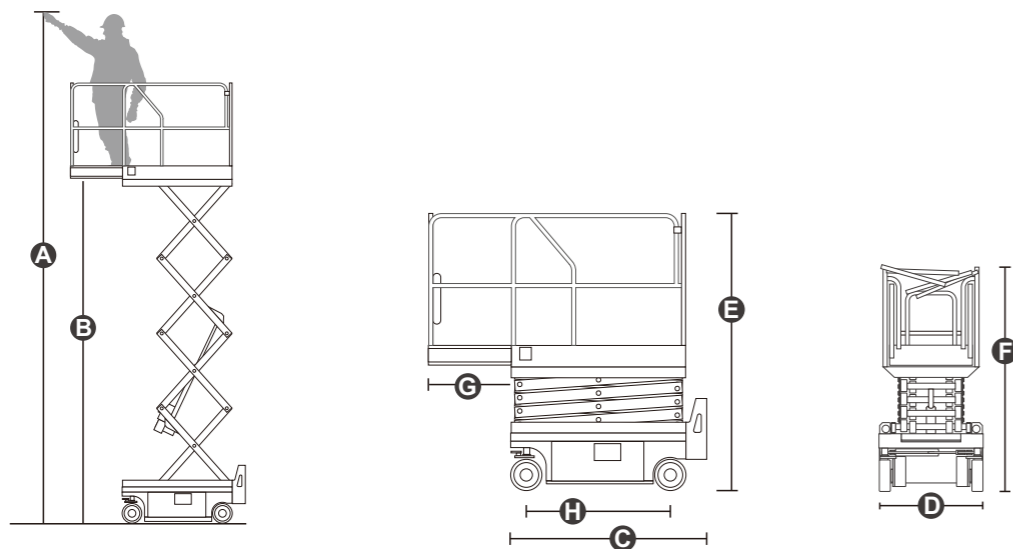
Model		JCPT0807PA
Dimension		
Max. Working Height A		7.80m - 25ft 7in
Max. Platform Height B		5.80m - 19ft
Overall Length C		1.86m - 6ft 1in
Overall Width D		0.76m - 2ft 6in
Overall Height(Rails Up) E		2.15m - 7ft 1in
Overall Height(Rails Down) F		1.83m - 6ft
Platform Size(Length×Width)		1.67m×0.74m - 5ft 6in×2ft 5in
Platform Extension Size G		0.90m - 2ft 11in
Ground Clearance(Stowed/Raised)		0.09m/0.016m - 4in/1in
Wheelbase H		1.36m - 4ft 6in
Turning Radius(Inside/Outside)		0m/1.64m - 0in/5ft 5in
Tyres		Φ323×100mm
Performance		
S.W.L		230kg - 507lb
S.W.L on Extension		113kg - 249lb
Max. Occupants(Indoor/Outdoor)		2/1
Gradeability		25%
Travel Speed(Stowed)		≈4.5km/h - ≈2.80mph
Travel Speed(Raised)		≈0.6km/h - ≈0.37mph
Max. Working Slope(X/Y)		1.5°/3°
Up/Down Speed		25/25sec
Weight		
Overall Weight		1650kg - 3637lb
Power		
Lead-Acid Maintenance-Free Battery		24V/185Ah
Charger		24V/30A
Driving Motor		2×15VAC/0.5kW
Lifting Motor		24VDC/1.4kW
Options		
Lithium Battery		24V/180Ah



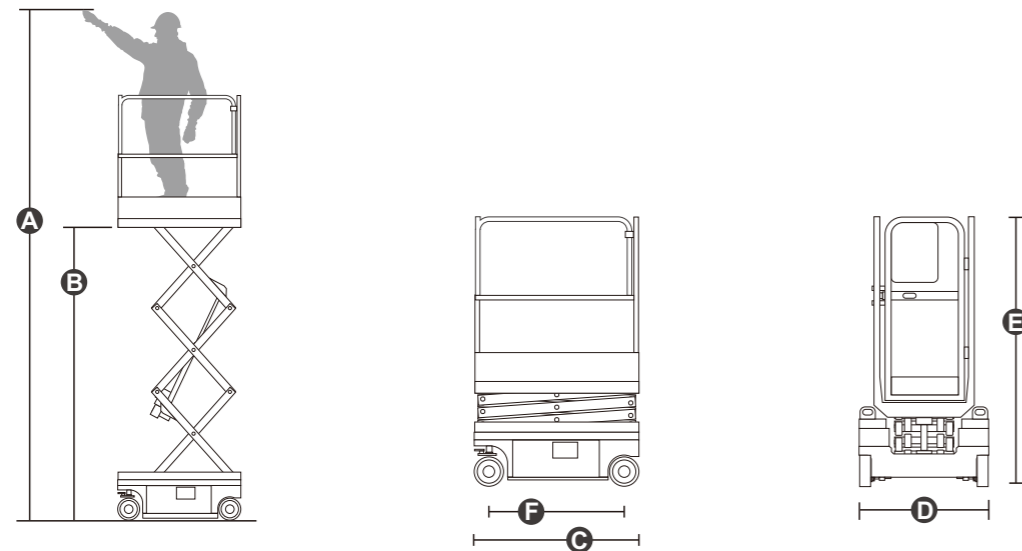
Model	JCPT0708PA	JCPT0708PAH
Dimension		
Max. Working Height(Indoor) A	7.60m - 24ft 11in	7.60m - 24ft 11in
Max. Platform Height(Indoor) B	5.60m - 18ft 4in	5.60m - 18ft 4in
Overall Length C	1.52m - 5ft	1.54m - 5ft 1in
Overall Width D	0.81m - 2ft 8in	0.81m - 2ft 8in
Overall Height(Rails Up) E	2.01m - 6ft 7in	2.09m - 6ft 10in
Overall Height(Rails Down) F	1.65m - 5ft 5in	1.73m - 5ft 8in
Platform Size(Length×Width)	1.37m×0.70m - 4ft 6in×2ft 4in	1.37m×0.70m - 4ft 6in×2ft 4in
Platform Extension Size G	0.60m - 2ft	0.60m - 2ft
Ground Clearance(Stowed/Raised)	0.06m/0.015m - 2in/1in	0.07m/0.015m - 3in/1in
Wheelbase H	1.13m - 3ft 8in	1.15m - 3ft 9in
Turning Radius(Inside/Outside)	0.45m/1.60m - 1ft 6in/5ft 3in	0.45m/1.60m - 1ft 6in/5ft 3in
Tyres	Φ230×100mm	Φ305×100mm
Performance		
S.W.L	230kg - 507lb	230kg - 507lb
S.W.L on Extension	113kg - 249lb	113kg - 249lb
Max. Occupants(Indoor/Outdoor)	2/0	2/0
Gradeability	25%	25%
Travel Speed(Stowed)	≈4.0km/h - ≈2.49mph	≈4.0km/h - ≈2.49mph
Travel Speed(Raised)	≈0.6km/h - ≈0.37mph	≈0.6km/h - ≈0.37mph
Max. Working Slope(X/Y)	1.5°/3°	1.5°/3°
Up/Down Speed	24/24sec	24/24sec
Weight		
Overall Weight	1340kg - 2954lb	1340kg - 2954lb
Power		
Lead-Acid Maintenance-Free Battery	24V/115Ah	24V/115Ah
Charger	24V/15A	24V/15A
Driving Motor	2×24VDC/0.7kW	2×24VDC/0.7kW
Lifting Motor	24VDC/1.8kW	24VDC/1.8kW
Options		
Max. Working Height(Outdoor)	6.60m - 21ft 8in	6.60m - 21ft 8in
Max. Platform Height(Outdoor)	4.60m - 15ft 1in	4.60m - 15ft 1in
Max. Occupants (Indoor/Outdoor)	2/1	2/1



Model		JCPT0608PA
Dimension		
Max. Working Height(Indoor) A		5.90m - 19ft 4in
Max. Platform Height(Indoor) B		3.90m - 12ft 9in
Overall Length C		1.33m - 4ft 4in
Overall Width D		0.81m - 2ft 8in
Overall Height(Rails Up) E		1.74m - 5ft 8in
Overall Height(Rails Down) F		/
Platform Size(Length×Width)		1.16m×0.70m - 3ft 10in×2ft 4in
Platform Extension Size G		0.50m - 1ft 8in
Ground Clearance(Stowed/Raised)		0.06m/0.016m - 2in/1in
Wheelbase H		0.95m - 3ft 1in
Turning Radius(Inside/Outside)		0.55m/1.65m - 1ft 10in/5ft 5in
Tyres		Φ200×100mm
Performance		
S.W.L		227kg - 501lb
S.W.L on Extension		113kg - 249lb
Max. Occupants(Indoor/Outdoor)		1/0
Gradeability		25%
Travel Speed(Stowed)		≈4.0km/h - ≈2.49mph
Travel Speed(Raised)		≈0.4km/h - ≈0.25mph
Max. Working Slope(X/Y)		1.5°/3°
Up/Down Speed		18/18sec
Weight		
Overall Weight		810kg - 1786lb
Power		
Lead-Acid Maintenance-Free Battery		24V/85Ah
Charger		24V/15A
Driving Motor		2×24VDC/0.6kW
Lifting Motor		24VDC/1.4kW
Options		
Max. Working Height(Outdoor)		4.90m - 16ft 1in
Max. Platform Height(Outdoor)		2.90m - 9ft 6in
Max. Occupants (Indoor/Outdoor)		1/1
Lithium Battery		24V/63Ah



Model	JCPT0607PA	JCPT0607PAH
Dimension		
Max. Working Height A	5.60m - 18ft 4in	5.60m - 18ft 4in
Max. Platform Height B	3.60m - 11ft 10in	3.60m - 11ft 10in
Overall Length C	1.44m - 4ft 9in	1.46m - 4ft 9in
Overall Width D	0.76m - 2ft 6in	0.76m - 2ft 6in
Overall Height(Rails Up) E	1.99m - 6ft 6in	2.06m - 6ft 9in
Overall Height(Rails Down) F	1.62m - 5ft 4in	1.69m - 5ft 6in
Platform Size(Length×Width)	1.29m×0.70m - 4ft 3in×2ft 4in	1.29m×0.70m - 4ft 3in×2ft 4in
Platform Extension Size G	0.60m - 2ft	0.60 - m2ft
Ground Clearance(Stowed/Raised)	0.06m/0.015m - 2in/1in	0.07m/0.015m - 3in/1in
Wheelbase H	1.05m - 3ft 5in	1.06m - 3ft 6in
Turning Radius(Inside/Outside)	0.40m/1.55m - 1ft 4in/5ft 1in	0.40m/1.55m - 1ft 4in/5ft 1in
Tyres	Φ230×80mm	Φ305×100mm
Performance		
S.W.L	240kg - 529lb	240kg - 529lb
S.W.L on Extension	100kg - 220lb	100kg - 220lb
Max. Occupants(Indoor/Outdoor)	2/1	2/1
Gradeability	25%	25%
Travel Speed(Stowed)	≈4.0km/h - ≈2.48mph	≈4.0km/h - ≈2.48mph
Travel Speed(Raised)	≈0.6km/h - ≈0.37mph	≈0.6km/h - ≈0.37mph
Max. Working Slope(X/Y)	1.5°/3°	1.5°/3°
Up/Down Speed	22/22sec	22/22sec
Weight		
Overall Weight	920kg - 3018lb	950kg - 3116lb
Power		
Lead-Acid Maintenance-Free Battery	24V/85Ah	24V/85Ah
Charger	24V/15A	24V/15A
Driving Motor	2×24VDC/0.7kW	2×24VDC/0.7kW
Lifting Motor	24VDC/1.4kW	24VDC/1.4kW



Model		JCPT0507PA
Dimension		
Max. Working Height(Indoor) A		5.05m - 16ft 7in
Max. Platform Height(Indoor) B		3.05m - 10ft
Overall Length C		1.33m - 4ft 4in
Overall Width D		0.77m - 2ft 6in
Overall Height E		1.60m - 5ft 3in
Platform Size(Length×Width)		1.16m×0.57m - 3ft 10In×1ft 10in
Ground Clearance(Stowed/Raised)		0.06m/0.016m - 2in×1in
Wheelbase F		0.95m - 3ft 1in
Turning Radius(Inside/Outside)		0.45m/1.20m - 1ft 6in/3ft 11in
Tyres		Φ200×80mm
Performance		
S.W.L		230kg - 507lb
Max. Occupants(Indoor/Outdoor)		1/0
Gradeability		25%
Travel Speed(Stowed)		≈4.0km/h - ≈2.48mph
Travel Speed(Raised)		≈0.4km/h - ≈0.24mph
Max. Working Slope(X/Y)		1.5°/3°
Up/Down Speed		20/20sec
Weight		
Overall Weight(Lead-acid Battery)		570kg - 1117lb
Power		
Lead-Acid Maintenance-Free Battery		24V/55Ah
Charger		24V/15A
Driving Motor		2×24VDC/0.6kW
Lifting Motor		24VDC/1.4kW
Options		
Max. Working Height(Outdoor)		4.30m - 14ft 1in
Max. Platform Height(Outdoor)		2.30m - 7ft 6in
Max. Occupants (Indoor/Outdoor)		1/1
Overall Weight(Lithium Battery)		540kg - 1190lb
Lithium Battery		24V/63Ah